

# Product Datasheet

## ESL

### Eurostrut Marine Ladder

DATA	
Brand	Eurostrut
Article number	See chart
Type	ESL
Material	Steel
Material abbreviation	St
Surface finish	Hot dip galvanized (HDG) according to NEN-EN-ISO 1461
Layer thickness	Min. 60 µm - Gem. 65-75 µm
Surface finish abbreviation	FT
Smallest sales unit	3000 mm
Weight	See chart
Length L	3000 mm
Width W	See chart
Height H	30 mm
Execution of the rungs	Profile perforated
Execution of side walls	Flat
Attachment of the rung	Welded
Thickness E	5 mm
Space between rungs	250 mm

#### DESCRIPTION

Eurostrut industrial marine ladder.  
 The Eurostrut ESL marine ladder is made of steel and has a hot-dip galvanized surface protection.

#### FEATURES

- Manufactured in accordance with BS EN 61537/ IEC 61537.
- Standard surface finish of the marine ladder is hot-dip galvanized (HDG) according to EN-ISO 1461.
- All rungs are welded to the side wall of the marine ladder.
- Accessories should be supported on all sides.
- Standard length 3 meters.

#### VARIATIONS

- Also available in stainless steel 304 or 316L on request.
- Other widths available on request.

#### LOAD DATA

Load test according CEI/IEC 61537:2001

Q = UDL (uniformly distributed load)

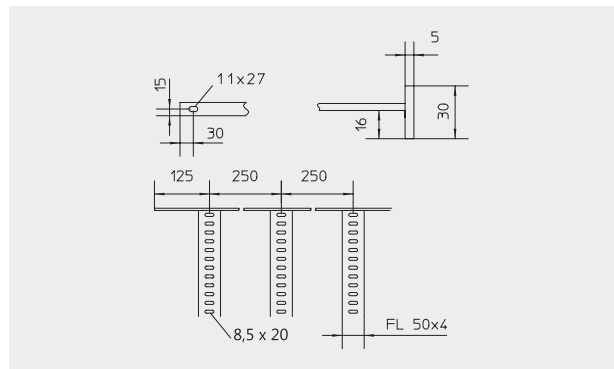
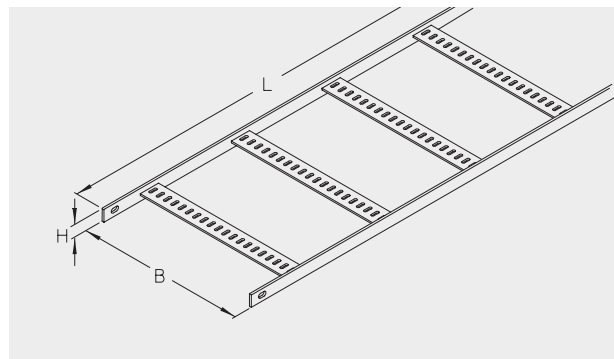
Safety Factor = 1,7

L = intermediate span

F = deflection = 1/100 of the intermediate span (max.)

S = splice location

Article number	W mm	H mm	L mm	Max. capacity cm <sup>2</sup>	kg/ unit
ESL-075H	75	30	3000	9,75	8,4
ESL-100H	100	30	3000	13,0	8,7
ESL-150H	150	30	3000	19,5	9,3
ESL-200H	200	30	3000	26,0	9,9
ESL-300H	300	30	3000	39,0	11,4
ESL-400H	400	30	3000	52,0	12,9
ESL-500H	500	30	3000	65,0	14,4



#### LOAD DATA

